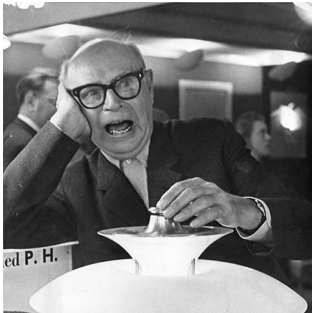


PH 5

The fixture provides a comfortable, glare-free light, based on the principle of Poul Henningsen's reflective three-shade system, which directs the majority of the light downwards. It emits a lateral light as well as illuminating itself, providing a soft radiance from within its core. The lower shade is furthermore fitted with a frosted diffuser glass to ensure that the downward directed light is 100% glare-free.



Poul Henningsen

The very influential Danish designer, architect, writer, and cultural critic, Poul Henningsen (1894-1967), has had a huge impact on Danish thinking and design. His legacy is an integrated part of Louis Poulsen's endeavor to shape light.



**Restaurant
Madsen**



Product info

Environmental Product Specification

This product is compliant with the requirements contained in the European Directives, RoHS Directive 2011/65 and 2015/863. This product is designed so that 100% of the product can be disassembled and reused.

Information

Colour of anti-glare disc: Blue: White Classic, Monochrome Blue and Hues of Orange. Green: Hues of Red and Hues of Rose. Red: Hues of Green and Hues of Blue. Rose: Pastel Blue Rose Peach, Hues of Grey and White Modern. Peach: Pastel Oyster Blue Rose. Same colour/material as main shade on Monochrome and Metal variants. Colour of struts: Purple: White Classic. Bronze coloured: White Modern and Hues of colours. White: Copper, Brass and Pastels. Same colour as main shade on Monochrome variants. Cable and canopy: Monochrome Black: Black cable and canopy. All others: White cable and canopy. Please note that the copper and brass surface is untreated. This means that the surface will change over time and develop a patina. This process may have already begun when the product is delivered.

Mounting

Suspension type: Cable 2x1mm². Canopy: Yes. Cable length: 3m.

Finish

White Classic or White Modern: Matt powder coated. Monochrome Pale Rose, Monochrome Oyster Grey, Monochrome Black, Monochrome Blue or Monochrome White: Matt, wet painted. Pastels Oyster Blue Rose or Pastels Blue Rose Peach: Matt wet painted. Hues of Blue, Hues of Green, Hues of Grey, Hues of Orange, Hues of Red, Hues of Rose: Matt wet painted. Metal variants: Polished Brass or Copper: Matt, powder coated. Please note that the copper and brass surface is untreated. This means that the surface will change over time and develop a patina.

Materials

Lower shade: Spun steel. Other shades and anti-glare disc: Spun aluminium, spun copper or spun brass. Struts: Rolled aluminium. Diffuser: Frosted glass.

Sizes and weights

Width x Height x Length (mm) | 500 x 267 x 500 Max 3.5 kg

Class

Ingress protection IP20. Electric shock protection II w/o ground.

Specification notes

The innovation of light sources is ongoing. Consequently we only inform about the max. wattages. On www.louispoulsen.com we update a list of recommendable light sources.

Light source

1x75W E27

Information

Colour of anti-glare disc:

Blue: White Classic, Monochrome Blue and Hues of Orange.

Green: Hues of Red and Hues of Rose.

Red: Hues of Green and Hues of Blue.

Rose: Pastel Blue Rose Peach, Hues of Grey and White Modern.

Peach: Pastel Oyster Blue Rose.

Same colour/material as main shade on Monochrome and Metal variants.

Colour of struts:

Purple: White Classic.

Bronze coloured: White Modern and Hues of colours.

White: Copper, Brass and Pastels.

Same colour as main shade on Monochrome variants.

Cable and canopy:

Monochrome Black: Black cable and canopy.

All others: White cable and canopy.

Please note that the copper and brass surface is untreated. This means that the surface will change over time and develop a patina. This process may have already begun when the product is delivered.



Related products



Product variants

Colour	Cable type	Light source
<input checked="" type="radio"/> Brass <input type="radio"/> Copper <input type="radio"/> Hues of blue <input type="radio"/> Hues of green <input type="radio"/> Hues of grey <input type="radio"/> Hues of orange <input type="radio"/> Hues of red <input type="radio"/> Hues of rose <input type="radio"/> Monochrome black <input type="radio"/> Monochrome blue <input type="radio"/> Monochrome oyster grey <input type="radio"/> Monochrome pale rose <input type="radio"/> Monochrome white <input type="radio"/> Pastels blue rose peach <input type="radio"/> Pastels oyster blue rose <input type="radio"/> White classic <input type="radio"/> White modern	Blk tex Wht tex	1x75W E27

Product description

Suspended shade luminaire
4 shades ensures minimal direct view of lamp
Geometry created to ensure illumination of large rooms
Iconic design
Family of two dimensions
Top shade to hide insert

Mounting

Can be mounted on 4" octagonal junction box. (USA only)
Relamping by removing bottom-center glare shield held in place with spring-loaded tabs.

Light description

Spherical light distribution
Top trumpet shaped shade provides vertical illumination of room
Three lower primarily directs light down
Internal reflector and bottom glass shield protect against glare
Geometry ensures uniform light around the fixture
Matte painted undersurfaces of shades creating uniform light distribution around the fixture

Design

Poul Henningsen

Material

Shades: Spun aluminum, 0.8 mm (0.03") thick.
On PH5 White and PH50 variants: red interior adds warmth to light.
Internal struts of matte chrome plated aluminum.
Socket: Porcelain, medium base, for A-23 clear envelope lamps.
Socket position is adjustable to allow correct lamp position and fixture illumination.
Canopy: 5.3" diameter x 0.9" tall cone of spun aluminum.
Cable: white PVC coated, 12 ft. (USA)

Weight

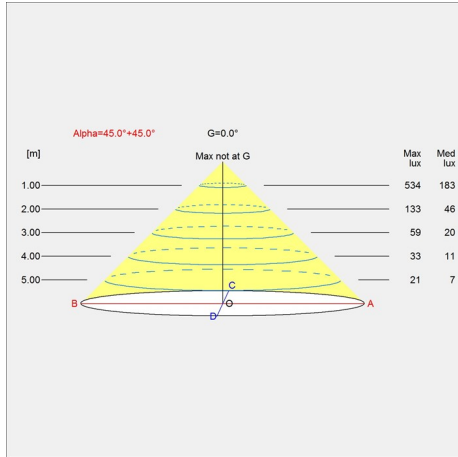
Min: 1.835 kg Max: 3.453 kg

Finish

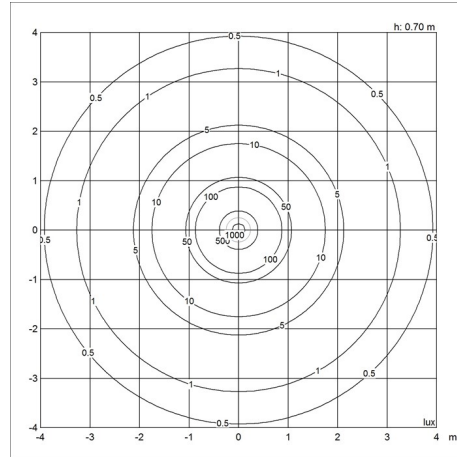
Brass, Copper, Hues of blue, Hues of green, Hues of grey, Hues of orange, Hues of red, Hues of rose, Monochrome black, Monochrome blue, Monochrome oyster grey, Monochrome pale rose, Monochrome white, Pastels blue rose peach, Pastels oyster blue rose, White classic, White modern

Light distribution diagrams

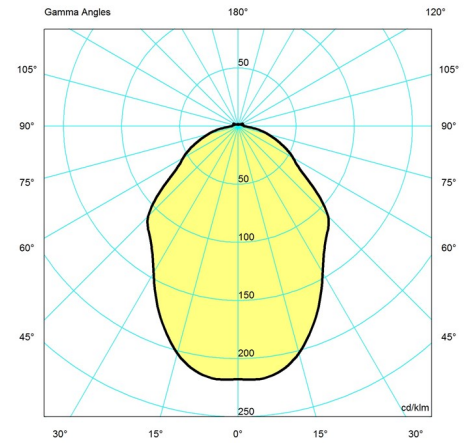
Cartesian



Isolux



Polar



Spare parts & accessories

Product	Variant number
Canopy White 2-part tophat ©	5749329034
Canopy Black 2-part tophat©	5749329021
PH 5 electrical assembly white f/old	5741086498
PH 5 PLUS/PH 50 glass disc	5741093300
Extension nipple f/stand. suspen	5741480670
PH 5 red/blue 100W inc bottom plate	5741481394
PH 5 (classic) spacers (1 SET)	5741093407
PH 5 spacers painted bronze (1 set)	5741100235
Relief nipple white	5741481268
PH 50 spacers (1 set)	5741100015
PH 5 (plus) white matt elec assemb	5741086443
PH 5 electrical assembly, socket	5741099948
PH 5 spacers painted white (1 set)	5741100248
PH 5 spacers monochrome white (1 set)	5741106093
PH 5 spacers monochrome blue (1 set)	5741106103
PH 5 spacers monochrome black (1 set)	5741106116