

Model 597 - Floor lamp, US

Designed by Gianfranco Frattini - 1961



ITEM NUMBER

Model 597, Floor Lamp, US - Polished Aluminum

10122044

DESCRIPTION

First released in 1961, the Model 597 by Italian virtuoso Gianfranco Frattini is the lamp that launched him as a lighting designer. Its unique and playful form perfectly encapsulates Frattini's extraordinary approach to the aesthetics of light. Model 597's unique nylon fringes were inspired by both the world of fashion and the fringed entrance curtains commonly found in Italy's bars and grocery stores in the late 1950s. Thanks to the array of lateral bulbs, the Table Lamps emit a 360° play of indirect light, softened by the fringes to create a rich ambient glow, while the reflective aluminum cover adds warmth to the upright. Model 597 is light-hearted in expression, but serious about functionality – bringing sophistication, fun and character to interiors without resorting to superfluous decorative flourishes.

Materials & Finishes

SHADE FINISH

Fringes, Viscose



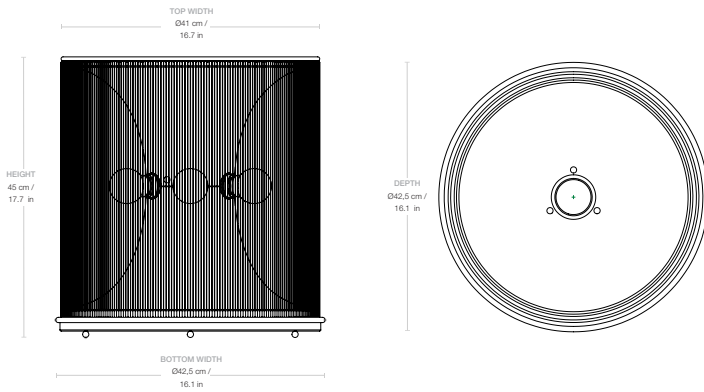
BASE FINISH Aluminum, Polished



CORD SHAPE Round

CORD COLOR Black

Dimensions



LAMP WIDTH 42,5 cm / 16.1 in

LAMP DEPTH 42,5 cm / 16.1 in

LAMP HEIGHT 45 cm / 17.7 in

BASE WIDTH 42,5 cm / 16.1 in

BASE DEPTH 42,5 cm / 16.1 in

BASE HEIGHT 2 cm / 0,7 in

CORD LENGTH 250 cm / 98.4 in

DISTANCE TO SWITCH 60 cm / 23.6 in

Weight

TOTAL WEIGHT 3,7 kg / 8.1 lbs

Number of parcels 1

PACKAGING LENGTH 48 cm / 18.9 in

PACKAGING WIDTH 48 cm / 18.9 in

PACKAGING HEIGHT 49 cm / 19.3 in



PACKAGING WEIGHT 0,8 kg / 1.7 lbs

GROSS WEIGHT 4,5 kg / 9.9 lbs

Electrical Specifications

BULB SOCKET	7 x E26
RECOMMENDED BULB	4-6W LED, 470lm. Suggested to use mirrored bulb for top position.
DIMMER	No
SWITCH	On cable. Seperate control of top and base light.
VOLTAGE	120V
BULB INCLUDED	No

Test & Certifications

CERTIFICATION	 
ISOLATION CLASS	II
IP CLASSIFICATION	20
