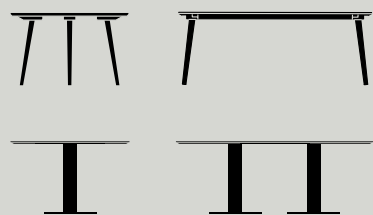


## Instructions



# In Between Tables

by Sami Kallio  
2014/2018

---

Congratulations on choosing this original In Between table, designed in 2014/2018 by Sami Kallio. We hope you will enjoy using this product and follow these instructions to ensure correct assembly. If you have any questions or comments, please do not hesitate to contact us by mail on:

[info@andtradition.com](mailto:info@andtradition.com)

Please read these instructions carefully and retain them for future reference to ensure that the table is used correctly. For your own safety, please study each step of this instruction manual. &tradition is not responsible for any faults or damages caused by not following these instructions correctly.

#### Safety precautions

- Dispose of plastic bag from packaging and do not allow children to play with it.
- The table is only intended for interior use.
- Handle table tops with care in order not to scratch surfaces.
- Power tools can be used to assemble the table. Be careful not to overtighten or damage screw or thread.
- Two or more persons are needed to turn table around once assembled.
- Spilled liquids of any kind should be removed immediately from the table top as it may penetrate the surface treatment and cause damage to it.

#### Cleaning instructions

- **Solid wood table top**  
For daily care, dust oiled furniture with a soft dry cloth. Cleaning can be done using a soft cloth wrung in lukewarm water following the wood grains and dried immediately with a dry cloth following the wood grains. For more severe cleaning a soap specifically developed for oiled wood can be used. Follow the instructions on the packaging of the cleaning product. To maintain the look and silky feeling of oiled wood, regular re-oiling is recommended. Re-oiling should be done when the wood starts to appear dry or faded. Usually, reoiling four times every year is sufficient.
- **Veneer table top:** Avoid using cleaning detergents and abrasive cleaning agents, as they may damage the surface of the wood. Avoid placing wooden furniture in direct sunlight, excessive heat or humidity.
- **Laminate table top:** Laminate is a hard-wearing and maintenance free material used for table tops in the &tradition collection. Laminate can be cleaned with a soft cloth wrung in a mild solution of lukewarm water and a universal cleaning detergent. Always wipe over with a dry soft cloth after cleaning. For difficult stains such as coffee or tea use a nylon bristle brush with mild household cleaner or detergent, rinsing with clean water and repeating as necessary. Rinse thoroughly with water.
- **Linoleum table top:** Table tops with linoleum offers a soft touch surface that does not feel as cold and hard as laminate. Regular cleaning is done with a soft cloth wrung in a mild solution of lukewarm water and a universal cleaning detergent. Avoid placing sharp objects on the surface as this may scratch the surface. It is recommended to use trivets or coasters under flowerpots, vases, cups etc.
- **Metal base:** It is recommended only to use a soft dry cloth to clean plated and powder coated surfaces but in case more severe cleaning is necessary, a soft cloth wrung in lukewarm water can be carefully applied. Always dry immediately after cleaning with a soft dry cloth.

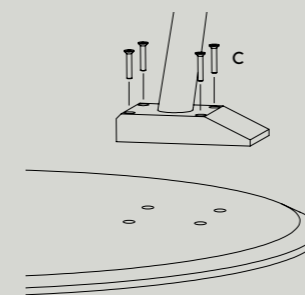
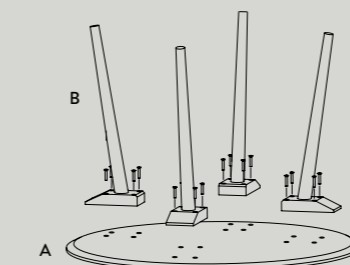
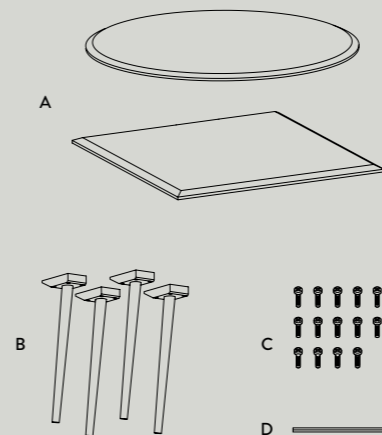


# In Between Round and square top with wooden legs

#### Contents

- A** Table top / round or square
- B** Table leg × 3 (up to Ø 90) / × 4 (Ø 91 to Ø 150 cm)
- C** Screw × 12 (up to Ø 90) / × 16 (Ø 91 to Ø 150 cm)
- D** Allen Key

Unpack the table and ensure all parts pictured are included.



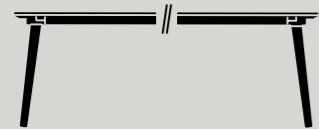
#### Step 1

Place table top (A) upside down. Please make sure to place table top on soft surface, so that table top will not be damaged during assembly.

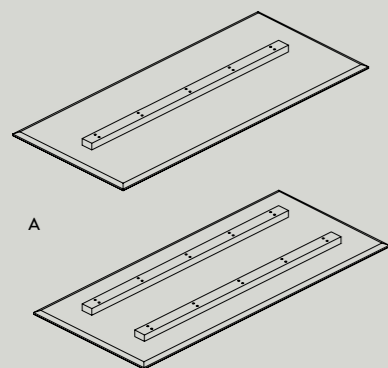
Place legs (B) on table top, aligning each leg with all four holes as illustrated.

#### Step 2

Place the screws (C) in the appointed holes and fasten with Allen Key (D) Repeat the task for the remaining legs.



# In Between Rectangular top with wooden legs

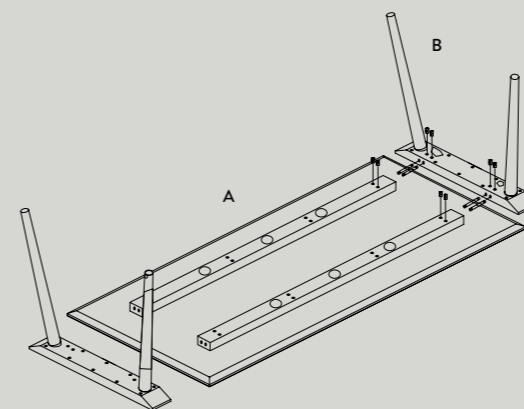
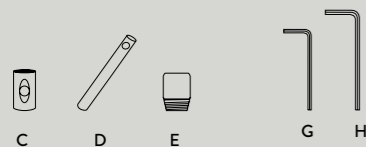
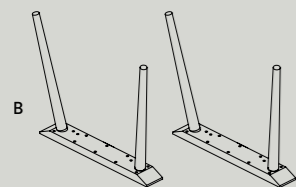


## Contents

- |   |  |
|---|--|
| <b>A</b> Table top / with 1 or 2 crossbeams*              | <b>E</b> Set screw × 8 (up to 200cm) / × 16 (from 200cm) |
| <b>B</b> Trestle × 2                                      | <b>F</b> Screws × 20                                     |
| <b>C</b> Barrel nut × 8 (up to 200cm) / × 16 (from 200cm) | <b>G</b> Small Allen key                                 |
| <b>D</b> Metal dowel × 4 (up to 200cm) / × 8 (from 200cm) | <b>H</b> Large Allen key                                 |

Unpack the table and ensure all parts pictured are included.

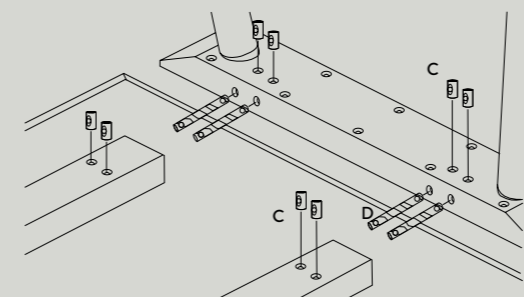
\*Please note that tables up to 200 cm in length have a single crossbeam, while tables of more than 200 cm have two crossbeams beneath the table top.



### Step 1

Place the table top (A) upside down on a soft, flat surface.

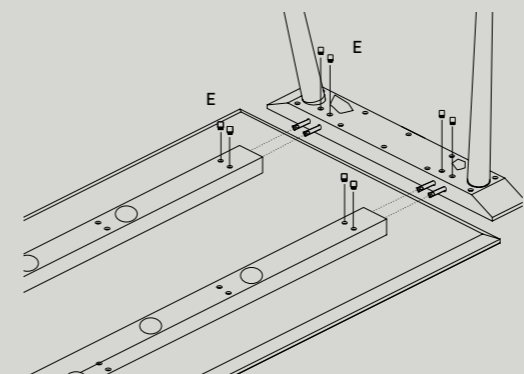
Turn the trestle (B) upside down and align holes with the corresponding holes in crossbeam.



### Step 2

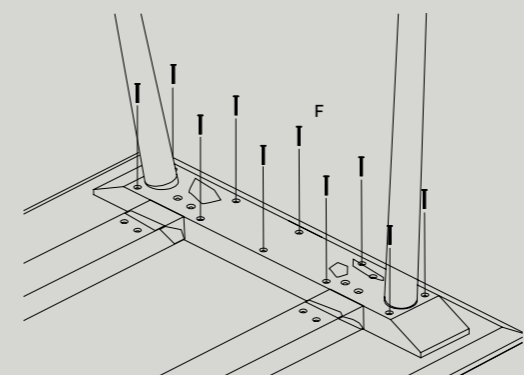
Insert barrel nuts (C) (thread side upwards) into the holes in crossbeam and trestle.

Insert metal dowels (D) (coned hole facing up) into corresponding holes.



### Step 3

Insert set screws (E) into barrel nuts and fasten loosely with large Allen Key (H) so that all parts are held in position but not yet fully tightened.

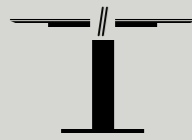


### Step 4

Place screws (F) into the appointed holes on the trestle and fasten with small Allen Key (G).

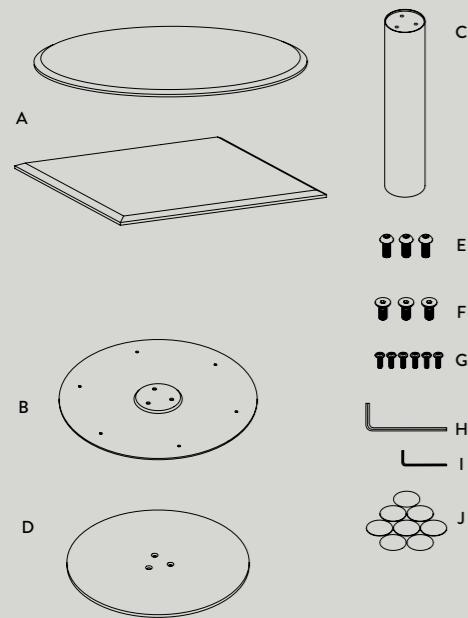
Tighten set screws with large Allen Key.

Repeat step 1-4 in opposite end of table.



# In Between

## Round, square and rectangular top with round base



### Contents

- A Table top
- B Top support
- C Column
- D Base
- E Large bolts ×3
- F Large counter sunk bolts ×3
- G Flanged button head screws ×6
- H Large Allen key
- I Small Allen key
- J Self-adhesive felt pads ×8

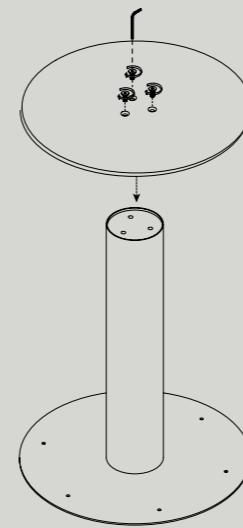
\*Please note that rectangular tables come with two sets of support/ column/base

### Step 1

Place the column (C) on the floor. Place the top support (B) on the column and align the holes with the corresponding holes in the column. Place the large bolts (E) in the appointed holes and fasten them clockwise with the large Allen key (H).

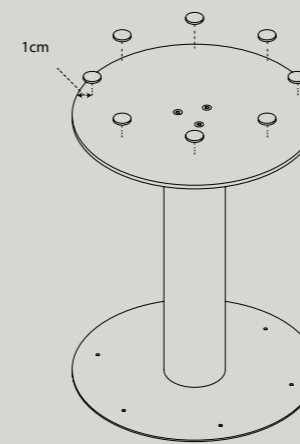
### Step 2

Turn the top support upside down on a soft, flat surface.



### Step 3

Place the base (D) on the column and align the holes with the corresponding holes in the column. Place the large counter sunk bolts (F) in the appointed holes and fasten them clockwise with the large Allen key.

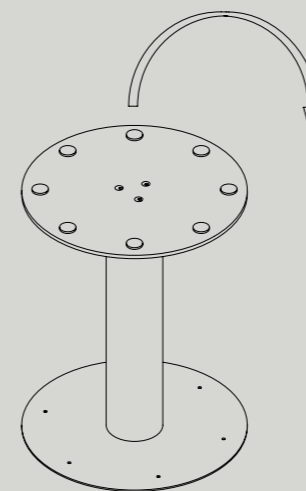


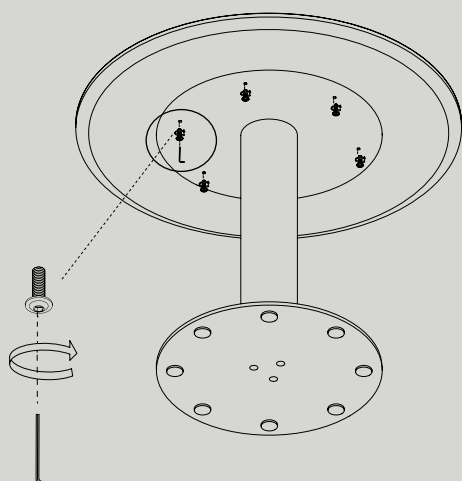
### Step 4

Place the self-adhesive felt pads (J) on the bottom of the base, with equal spacing and 1 cm distance from the edge as illustrated.

### Step 5

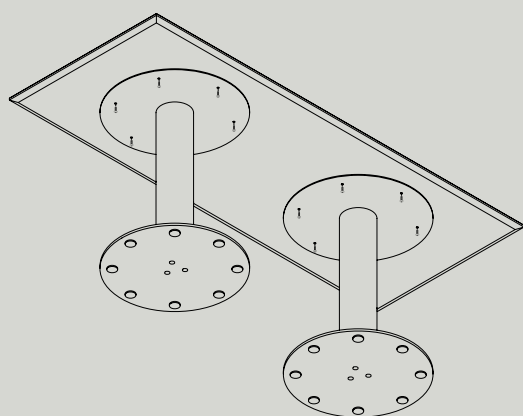
Turn the base upside down.





### Step 6

Place the table top (A) on top of the top support. Align the holes with the corresponding holes in the table top. Place the flanged button head screws (G) in the appointed holes and fasten them clockwise with the small Allen key (I).



### Rectangular tables

Rectangular tables need two bases. Please follow the previous instruction steps 1-6 on how to assemble each of the bases.