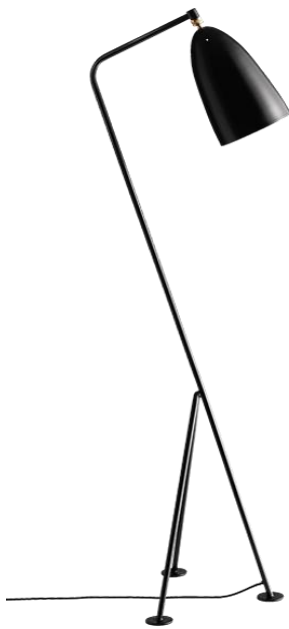


Designed by Greta Grossman

### PRODUCT



### COLOURS



### DESCRIPTION

The iconic Gräshoppa lamp was first produced in 1947. The tubular steel tripod stand is tilted backward whilst the elongated steel conical shade is mounted with a free moving joint in solid brass, consequently the light can be directional, yet the glare is minimal, both stand and shade are powder-coated and are available in 5 colours.

### VERSION - GRÄSHOPPA FLOOR LAMP GM1

Colour codes are indicative.

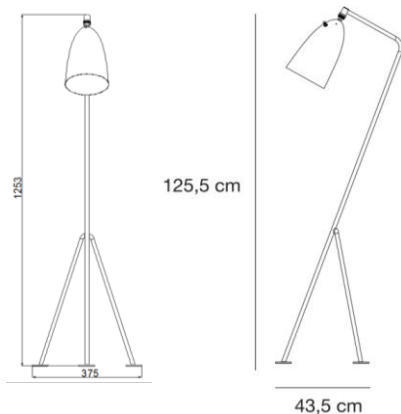
- Fabric wire - Black:
- Warm grey / White inside // RAL 085 60 10 / RAL 9003 // Gloss level 20 / Gloss level 20
- Anthracite grey / White inside // RAL 7016 / RAL 9003 // Gloss level 20 / Gloss level 20
- Blue grey / White inside // RAL 160 60 05 / RAL 9003 // Gloss level 20 / Gloss level 20
- Jet Black / White inside // RAL 9005 / RAL 9003 // Gloss level 20 / Gloss level 20
- Andorra red / White inside // RAL 020 30 20 / RAL 9003 // Gloss level 17 / Gloss level 20
- Aspen yellow / White inside // RAL 085 80 60 / RAL 9003 // Gloss level 17 / Gloss level 20
- Oyster white/ White inside // RAL 1013 / RAL 9003 // Gloss level 17 / Gloss level 20
- Fabric wire - White:
- Matt white / White inside // RAL 9003 / RAL 9003 // Gloss level 20 / Gloss level 20
- Vintage red / White inside // RAL 3012 / RAL 9003 // Gloss level 20 / Gloss level 20

### VERSION

Order item - look for part number in the pricelist.

Series contains the following:

**GM1, GM2, GM3**



### FACTS

#### MATERIAL

Shade: Powder-coated steel  
Stand: Brass tube: dia. 0,5 inches  
Swivel: Solid brass

#### MEASUREMENT - L X W X H inches

Lamp height: 49,3 inches  
Lamp stand: 14,8 X 17 inches  
Shade height: 9,2 inches  
Shade diameter: dia. 5,9 inches  
Cable length, exposed: APP. 84,6 inches  
Cable length, total: APP. 128 inches

#### WEIGHT ITEM - LAMP INCL. WIRE

5 lb

#### PACKAGING TYPE

Cardboard box

#### PACKAGING MEASUREMENT - L X W X H inches

L:17,3 X W: 17,3 X H: 53,1 inches

#### WEIGHT PACKAGING - MATERIAL TYPE (recyclable)

- Delivery note: 0,35 oz
- LD-EPE foam: 3,2 oz
- PE polybag: 6,7 oz
- Cardboard inside: 2,8 lb
- Cardboard outside, 5ply Corrugated: 10 lb

#### WEIGHT PACKAGING - TOTAL

18,4 lb

#### NUMBER OF PARCELS

1 pcs.

## ACCESSORIES

-

## ENVIRONMENT

-

## TESTS

-

## CERTIFICATION AND LABELS

### CUL-CERTIFIED

## SAFETY INSTRUCTIONS

If the cord or plug is damaged, unplug it from the socket with dry hands. Do not use the lamp until it is repaired by a qualified Electrician.

Instructions document: No. 53-20-002-01

**BULB REPLACEMENT**


- Disconnect the power before replacing bulb.

**TROUBLESHOOTING**

- If lamp does not light, turn off the power. Check the bulb for a broken filament. Replace bulb if necessary, then turn it on.
- If the lamp still does not light, please contact customer service at the local dealer.
- If the external flexible cable or cord of this lamp is damaged, it must be replaced by a qualified electrician in order to avoid a hazard.


**MAINTENANCE**

- Strip plug covered cord prior maintenance.
- To clean, use a soft cloth only.
- Do not use any chemical or abrasive cleaners.



### Gräshoppa Floor Lamp

005-013xx



**GUBI A/S**  
 Hvidebøvej 7-9 / Pilehus 53  
 2150 Nordhavn, Copenhagen  
 Denmark

T. +45 3332 0308  
 OVR. 1782054  
 WWW.GUBI.DK

**SAFETY INSTRUCTIONS: PERTAINING TO RISK OF FIRE, ELECTRIC SHOCK, OR PERSONAL INJURY:**  
 WARNING: Lighted bulb gets HOT. Do not touch while ON.  
 CAUTION: Use lamp away from curtains, bedding, towels, and any other flammable materials. Do not use directly on lighted bulb.  
 Turn off, cooling and allow bulb to cool before replacing bulb, cleaning or other maintenance.  
 Do not use in the bathroom or damp areas.  
 CAUTION TO REDUCE THE RISK OF FIRE, USE MAX. 40 WATT INCANDESCENT E12, 35W 8 bulb 15W R90-AC ONLY.  
 Do not exceed maximum wattage.  
 CAUTION: IMPORTANT: LAMP MUST BE INSTALLED BY A QUALIFIED ELECTRICIAN.  
 REVISION: 04/16/16/16/16

**Step 1**

1. Unpack lamp.
2. Place on stable ground.

**Step 2**

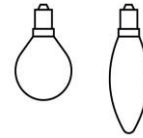
3. Plug lamp to mains voltage.
4. Push switch to turn lamp on and off.



53-20-002-01 Mounting and Operation Floor Lamp US

## LIGHT SOURCE:

- Socket: E12 base
- Bulb types recommended:



- Recommended light sources:

If LED is chosen, only dimmable versions work.

470 Lumen (~ 40W incandescent ~ 30W halogen ~ 4-6W LED)

- Max. light out put for above lamps:

470 Lumen (~ 40W incandescent ~ 30W halogen ~ 4-6W LED)

- Best result is achieved with frosted light bulbs

with a CRI (Colour Rendering Index) larger than 90.

- Lightbulb not included.

- All lamps can be fitted with a dimmer - Please contact your local electrician.

- Lightbulb not included

- US plug: Type A, 2 PIN, 15 amp, (NEMA 1-15)

- US voltage: 120 V

- Frequency: 60 Hz

- Supply voltage: AC power ~

- Normally Closed: IP20



Class II / Double insulated



Mark for Canada and the U.S.



Luminaires accepted for mounting on a flammable base





**GRÄSHOPPA FLOOR LAMP // Designed by Greta Grossman**

**DK**  
 Tillykke med din Gräshoppa lampe designet af Greta Grossman i 1947. Vi håber du vil blive glad for den.  
 Efter et stykke tid vil du muligvis opleve, at ledet på skærmen bliver løst og har brug for efterspænding. Dette gøres ved at dreje montage-mønstrene på billedet ned ad.

*Obs: Undlad at rotere skærmen gennemgående gange om sin egen akse, da det kan forårsage defekt.*

**ENG**  
 Congratulations with your Gräshoppa lamp designed by Greta Grossman in 1947. We hope you will enjoy it.  
 After some time you may find that the joint on the shade will get loose and needs tightening. This can be done by turning the brass nut clockwise.

*Caution: Do not rotate the shade repeatedly on its axis, as this might result in malfunctioning.*

**DE**  
 Gratulation zu Ihrer Gräshoppa Leuchte Entworfen 1947 von Greta Grossman. Wir wünschen Ihnen viel Freude damit.  
 Bitte beachten Sie, dass sich die Verbindung des Leuchterschirmes im Laufe der Zeit lockern kann und nachgezogen werden muss. Drehen Sie dazu die Messing-Mutter im Uhrzeigersinn fest.

*Achtung: Bitte drehen Sie den Schirm nicht mehrmals um seine Achse, dies verursacht event. Defekte.*