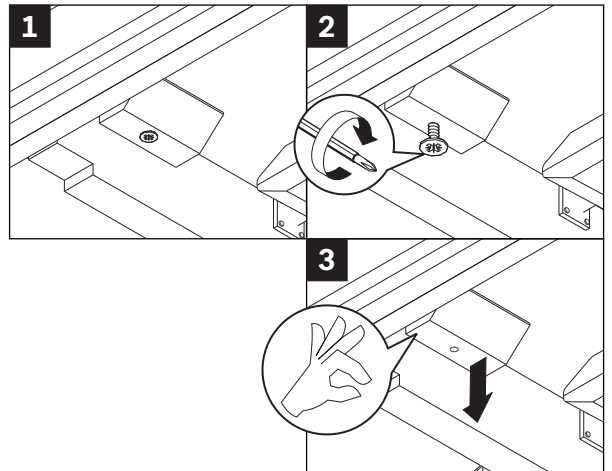
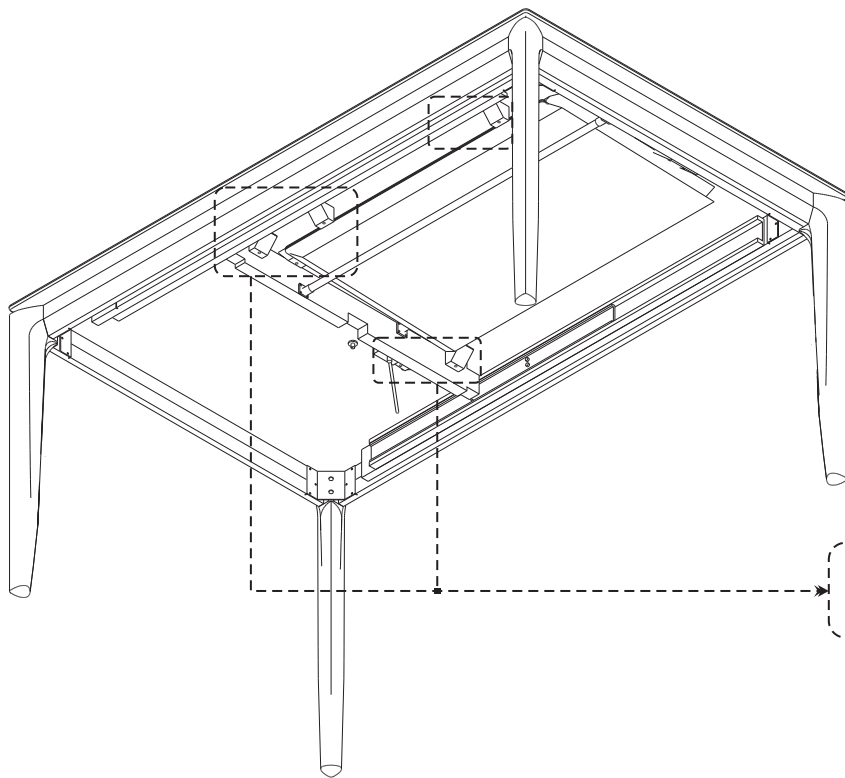


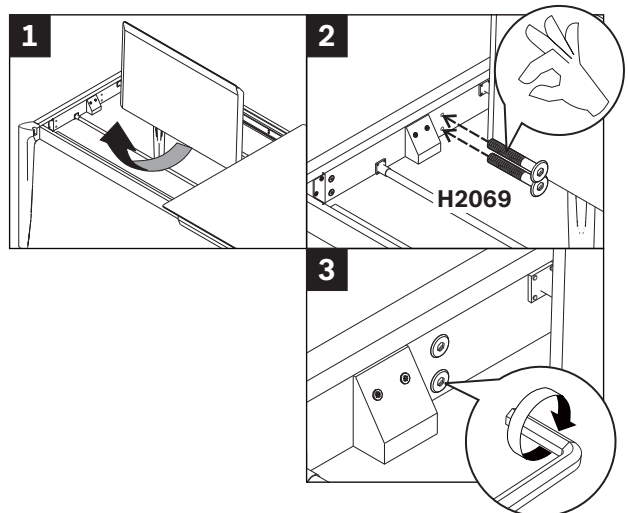
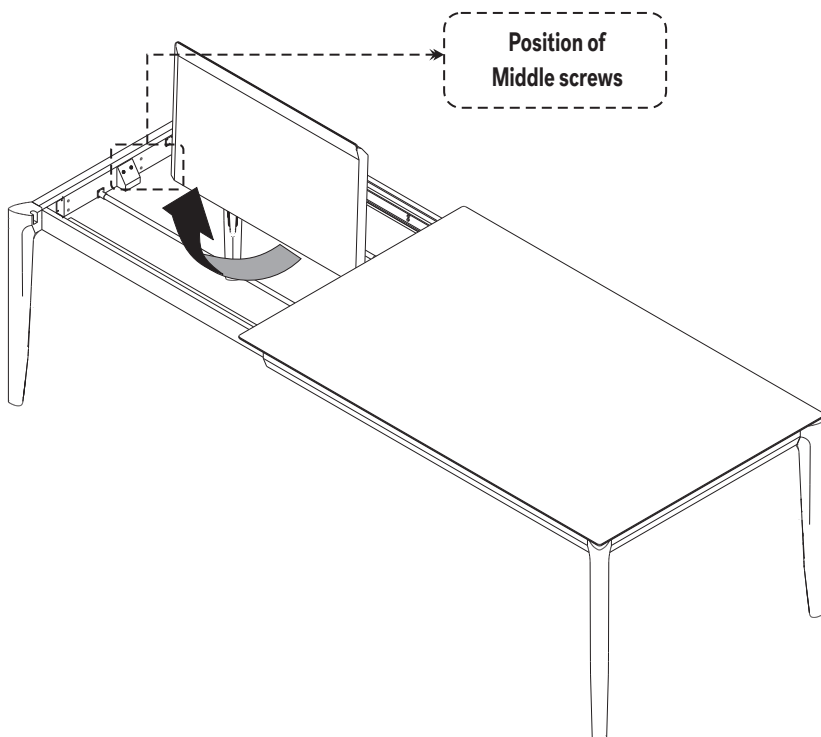
OAK BOK EXTENDABLE DINING TABLE ASSEMBLY INSTRUCTIONS FOR DINING TABLE INSTALLATION

C. REMOVE WOODEN PIECES



! REMOVE WOODEN PIECES
BEFORE EXTENDING THE TABLE

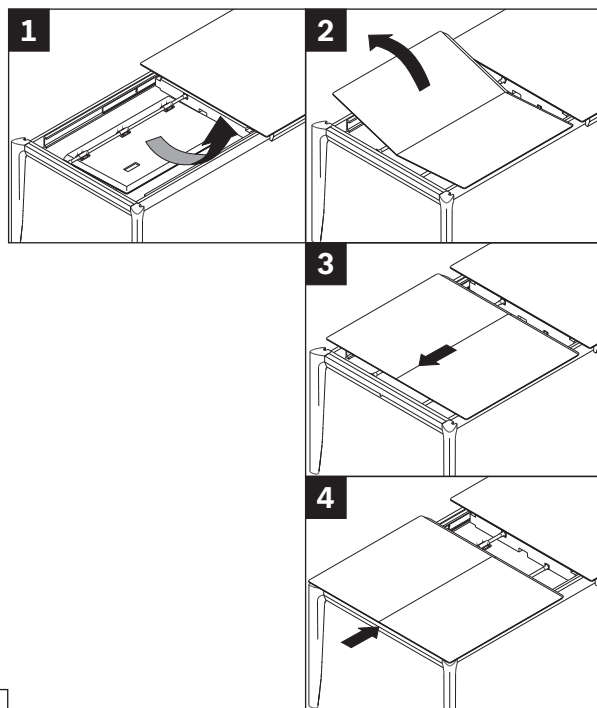
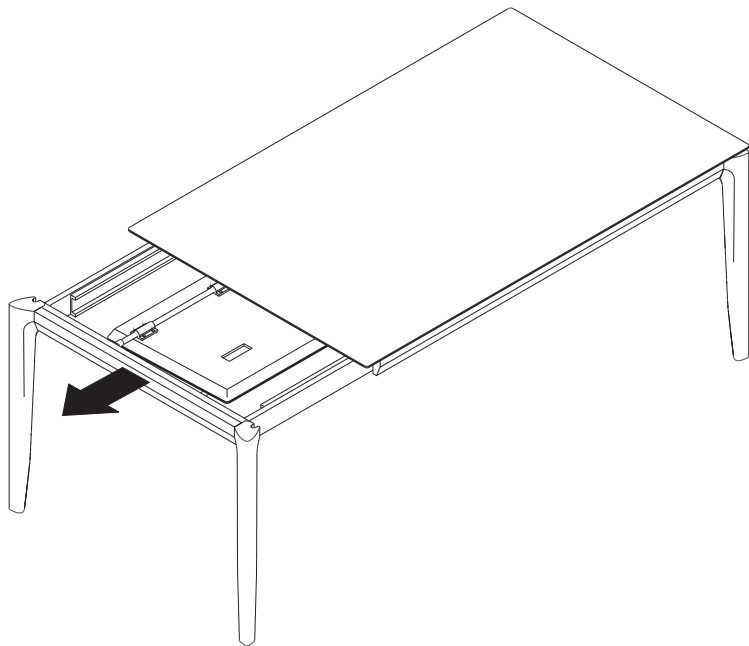
D. INSTALLING SCREW IN THE MIDDLE SIDE



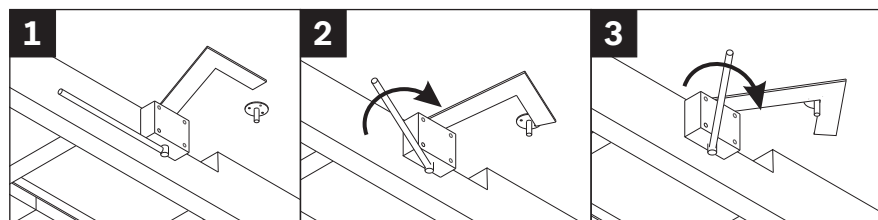
! - ONE PERSON HOLD THE EXTENSION LEAVES
- USE SCREW M6x40
- TIGHTEN FULLY ALL SCREWS

OAK BOK EXTENDABLE DINING TABLE ASSEMBLY INSTRUCTIONS FOR DINING TABLE INSTALLATION

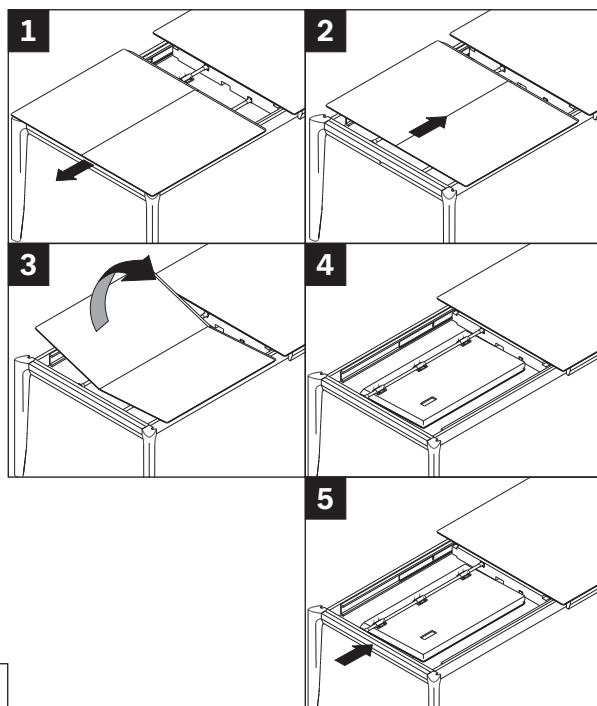
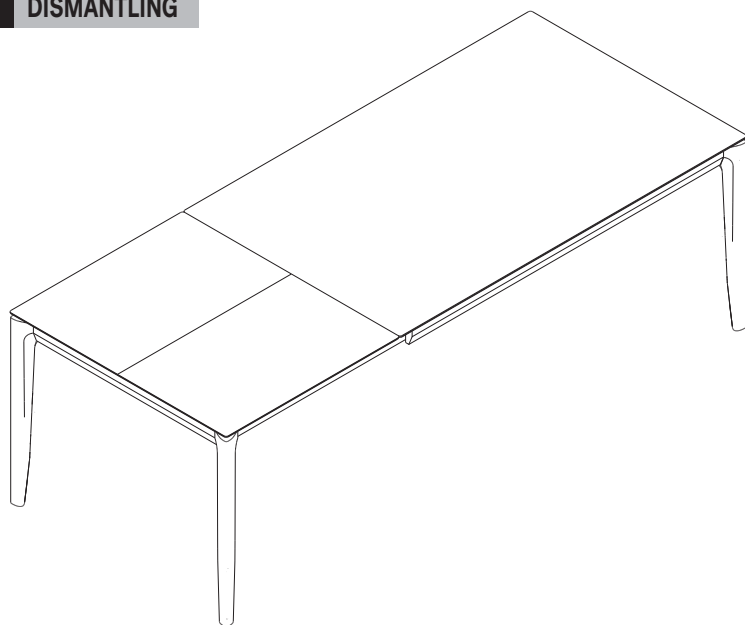
E. EXTENDING



NOTE: LOCK AFTER EXTENDING



F. DISMANTLING



NOTE: UNLOCK BEFORE DISMANTLING

