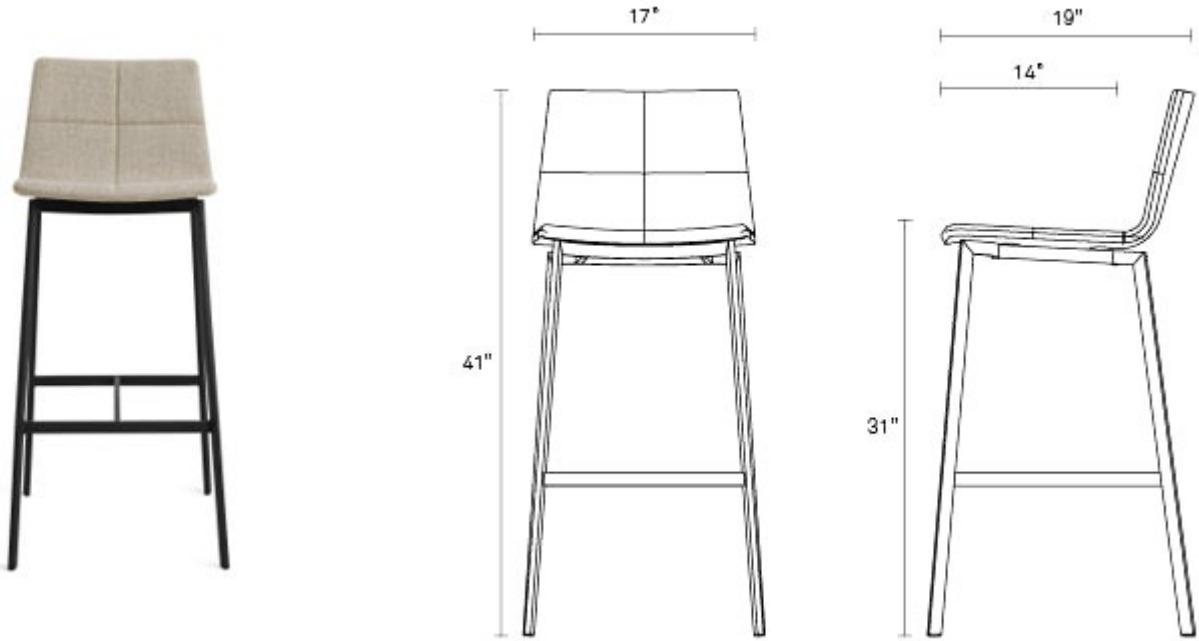


Between Us Barstool



Rectangular steel legs bring a bit of edge and grid stitched upholstered seat and back lend texture and softness to this seating situation. Reliable in any setting, Between Us is a stool always prepared to be of service. Shop the entire Between Us Collection



CAMEL LEATHER



GUNMETAL



INK LEATHER



TAIT STONE



CREAM LEATHER



DIGIT WHITE



DIGIT GREY

Product Details

- Bent wood construction with light all-over padding
- Black or putty powder-coated steel base
- Gunmetal: 100% Polyester | 30,000 Double Rubs
- Tait Stone: 90% Polyester / 10% Linen blend upholstery | 50,000 Double Rubs
- Digit White and Grey: 92% Polyester / 8% Linen blend upholstery | 100,000 Double Rubs
- Ink and Camel Leather: An aniline leather with a soft matte finish and velvety feel; Variation in the natural leather becomes more beautiful with use
- Cream Leather: This semi aniline corrected leather has a pebble texture. it is marked by a silky smooth and drapery hand that exudes a more modern aesthetic; Offering color consistency throughout the hides, it is ideal for high traffic applications
- Color variation is a signature to the authenticity of natural leather
- BIFMA rated
- Some assembly required

* Spring Sale prices valid through 5/7/2023

BT1-BARSTL-CA
BT1-BARSTL-GM
BT1-BARSTL-IN
BT1-BARSTL-ST
BT1-BARSTL-CR
BT1-BARSTL-WH
BT1-BARSTL-DG

CAMEL LEATHER
GUNMETAL
INK LEATHER
TAIT STONE
CREAM LEATHER
DIGIT WHITE
DIGIT GREY

\$525 ~~\$420~~
\$325 ~~\$260~~
\$525 ~~\$420~~
\$325 ~~\$260~~
\$525 ~~\$420~~
\$325 ~~\$260~~
\$325 ~~\$260~~

Are you a trade professional? Visit bludot.com/trade-contract