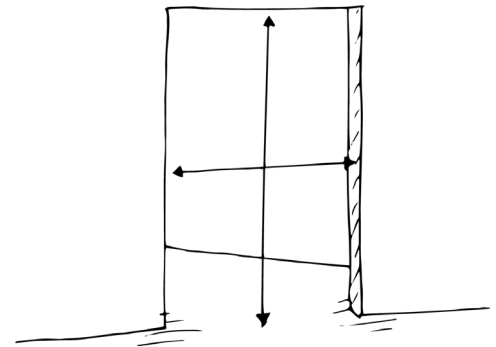
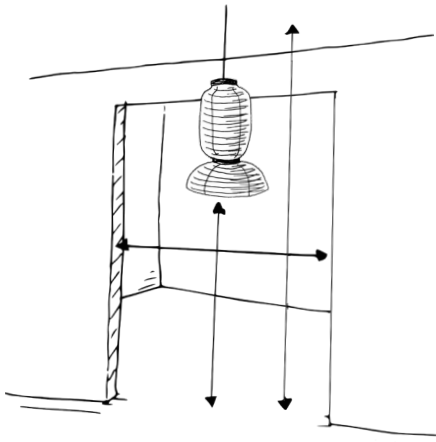


This guide is to help you determine that the furniture you have ordered will fit into your home. Find tips below on how to measure all the spaces your furniture will pass through to confirm an accessible path for delivery. Apartment and condominium dwellers, be sure to measure the elevator interior height, elevator opening, and opposite wall distance to ensure furniture will fit.

Please note: Diagonal depth must be less than the width of any access points to allow entry.

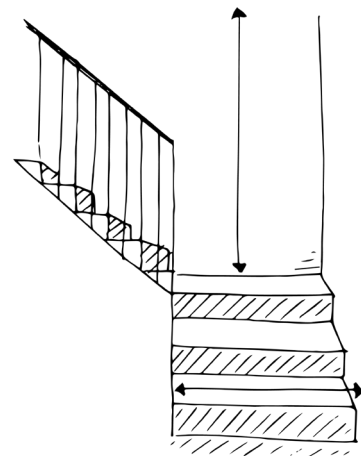
Doorways

Measure the width and height of all doorways within the molding. Check how wide the door can open and measure your entry clearance - the distance from the wall, through the doorway, to the opposite wall.



Hallways

Measure the width and height of all hallways, including narrow spaces, tight turns, and corners. Factor in ceiling height and any low hanging fixtures as furniture may need to rotate.



Stairways

Measure the width of the stairway within any railings or posts. Then measure the height from the ceiling to the top and bottom step to confirm your piece can be rotated on the steps. If landings are present, measure the width and height of the landing area to the ceiling, taking handrails into account.

Furniture dimensions can be found on our website's product pages for easy access. Some pieces may have removable legs or bases, but please check with your Design Sales Consultant or contact support@lekkerhome.com for more information.